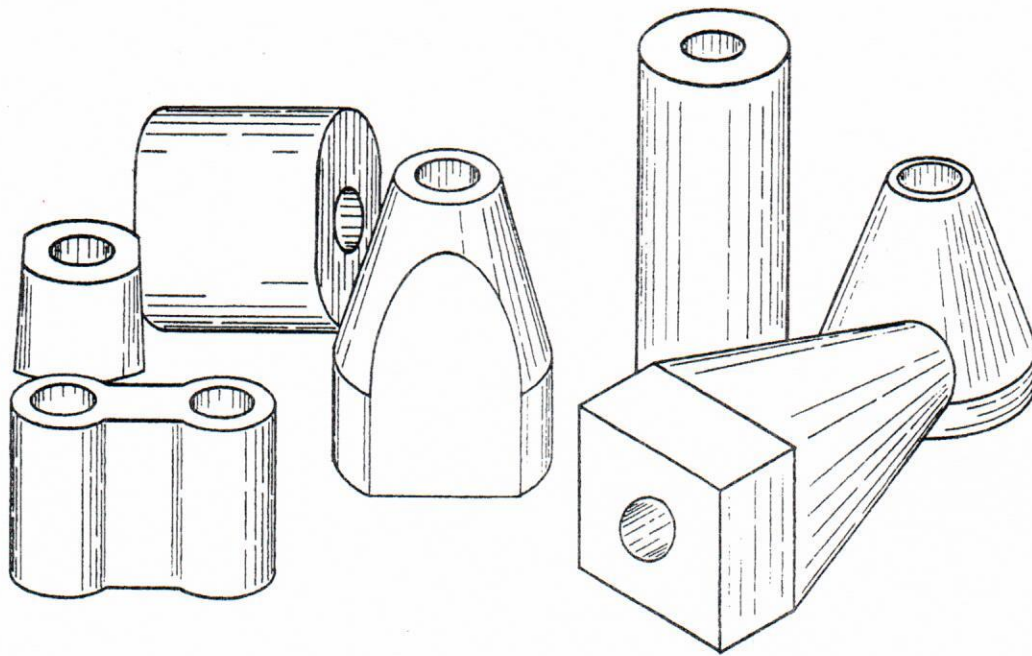


# INDUSTRIAL CERAMIC BRICK CORES



- Custom Manufacturing of Special Shapes
- All Standard Sizes and Shapes in Stock
- Special Ceramic Products

INDUSTRIAL METAL FLAME SPRAYERS INCORPORATED

Phone 919-596-9381 • 1-800-203-3684 • Fax 919-598-1848  
419 Salem Street • Durham, NC 27703

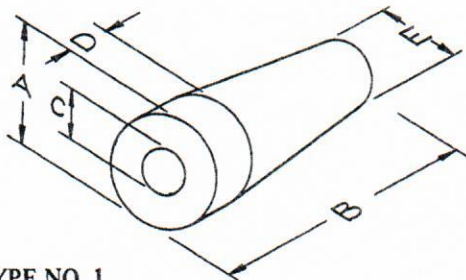
CERAMIC CORE TIPS  
ARE 99.5%  
ALUMINUM OXIDE

ANY SHAPE CORE TIP  
CAN BE FURNISHED ON SPECIAL ORDER

AVAILABLE UPON SPECIAL ORDER

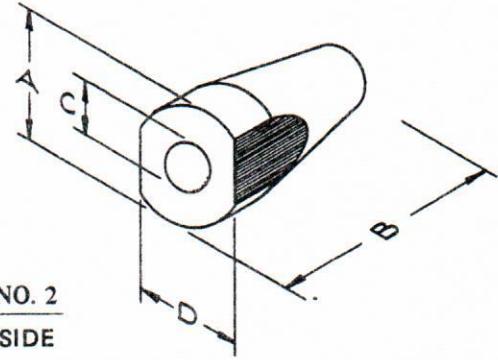
♦ TITANIUM CARBINE CORE TIPS ♦

\*ASTERISK INDICATES ITEMS IN STOCK



TYPE NO. 1  
ROUND TAPERED

Part No.	A	B	C	D	E	Area Sq. In.
*RT-.875	7/8"	1-1/4"	3/8"	5/16"	9/16"	.601
*RT-.937	15/16"	1-1/4"	3/8"	5/16"	5/8"	.690
*RT-1.000	1"	1-1/4"	3/8"	3/8"	5/8"	.785
*RT-1.063	1-1/16"	1-1/4"	3/8"	5/16"	5/8"	.887
*RT-1.125	1-1/8"	1-1/4"	3/8"	3/8"	5/8"	.994
*RT-1.187	1-3/16"	1-1/4"	3/8"	3/8"	5/8"	1.108
*RT-1.250	1-1/4"	1-1/4"	3/8"	3/8"	5/8"	1.227
*RT-1.375	1-3/8"	2"	5/8"	7/16"	1"	1.485
*RTS-1.375	1-3/8"	1-1/4"	3/8"	3/8"	5/8"	1.485
*RT-1.500	1-1/2"	2"	5/8"	1/2"	1"	1.767
*RT-1.562	1-9/16"	2"	5/8"	1/2"	1"	1.917
*RT-1.625	1-5/8"	2"	5/8"	1/2"	1"	2.074
*RT-1.687	1-11/16"	2"	5/8"	1/2"	1"	2.236
*RT-1.750	1-3/4"	2"	5/8"	1/2"	1"	2.405
*RT-1.875	1-7/8"	2"	5/8"	1/2"	1"	2.761
*RT-2.000	2"	2"	5/8"	1/2"	1"	3.142

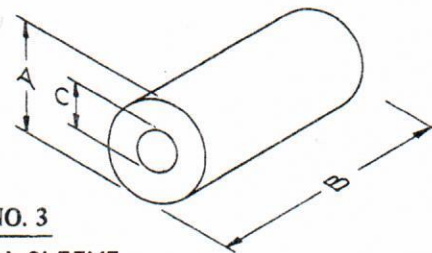


TYPE NO. 2  
FLAT SIDE

Part No.	A	B	C	D	Area Sq. In.
FS-.875-.750	7/8"	1-1/4"	3/8"	3/4"	.563
FS-.937-.812	15/16"	1-1/4"	3/8"	13/16"	.651
FS-.937-.750	15/16"	1-1/4"	3/8"	3/4"	.619
*FS-1.000-.875	1"	1-1/4"	3/8"	7/8"	.744
FS-1.000-.750	1"	1-1/4"	3/8"	3/4"	.672
*FS-1.062-.875	1-1/16"	1-1/4"	3/8"	7/8"	.810
FS-1.062-.750	1-1/16"	1-1/4"	3/8"	3/4"	.725
*FS-1.062-1.000	1-1/16"	1-1/4"	3/8"	1"	.873
*FS-1.125-.875	1-1/8"	1-1/4"	3/8"	7/8"	.872
*FS-1.125-.750	1-1/8"	1-1/4"	3/8"	3/4"	.775
*FS-1.125-1.000	1-1/8"	1-1/4"	3/8"	1"	.951
*FS-1.250-1.000	1-1/4"	1-1/4"	3/8"	1"	1.100
FS-1.250-.875	1-1/4"	1-1/4"	3/8"	7/8"	.995
FS-1.250-.750	1-1/4"	1-1/4"	3/8"	3/4"	.878
FS-1.375-1.250	1-3/8"	2"	5/8"	1-1/4"	1.437
FS-1.375-1.125	1-3/8"	2"	5/8"	1-1/8"	1.351
FS-1.375-1.000	1-3/8"	2"	5/8"	1"	1.243
FS-1.500-1.375	1-1/2"	2"	5/8"	1-3/8"	1.716
FS-1.500-1.312	1-1/2"	2"	5/8"	1-5/16"	1.675
*FS-1.500-1.250	1-1/2"	2"	5/8"	1-1/4"	1.626
*FS-1.500-1.125	1-1/2"	2"	5/8"	1-1/8"	1.511
*FS-1.500-1.000	1-1/2"	2"	5/8"	1"	1.380
FS-1.562-1.437	1-9/16"	2"	5/8"	1-7/16"	1.865
*FS-1.562-1.375	1-9/16"	2"	5/8"	1-3/8"	1.823
FS-1.562-1.312	1-9/16"	2"	5/8"	1-5/16"	1.774
*FS-1.562-1.250	1-9/16"	2"	5/8"	1-1/4"	1.718
*FS-1.562-1.125	1-9/16"	2"	5/8"	1-1/8"	1.591
*FS-1.562-1.000	1-9/16"	2"	5/8"	1"	1.449
*FS-1.625-1.500	1-5/8"	2"	5/8"	1-1/2"	2.022
*FS-1.625-1.375	1-5/8"	2"	5/8"	1-3/8"	1.928
*FS-1.625-1.250	1-5/8"	2"	5/8"	1-1/4"	1.808
*FS-1.625-1.187	1-5/8"	2"	5/8"	1-3/16"	1.740
*FS-1.625-1.125	1-5/8"	2"	5/8"	1-1/8"	1.669
*FS-1.625-1.000	1-5/8"	2"	5/8"	1"	1.515
FS-1.687-1.562	1-11/16"	2"	5/8"	1-9/16"	2.184
FS-1.687-1.500	1-11/16"	2"	5/8"	1-1/2"	2.140
FS-1.687-1.437	1-11/16"	2"	5/8"	1-7/16"	2.087

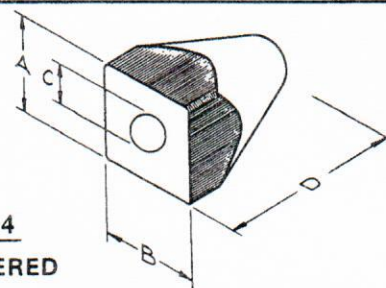
**TYPE 2 Con't**

Part No.	A	B	C	D	Area Sq. In.
FS -1.687-1.375	1-11/16"	2"	5/8"	1-3/8"	2.029
FS -1.687-1.312	1-11/16"	2"	5/8"	1-5/16"	1.966
FS -1.687-1.250	1-11/16"	2"	5/8"	1-1/4"	1.898
*FS -1.687-1.187	1-11/16"	2"	5/8"	1-3/16"	1.823
FS -1.687-1.125	1-11/16"	2"	5/8"	1-1/8"	1.748
FS -1.687-1.063	1-11/16"	2"	5/8"	1-1/16"	1.667
FS -1.687-1.000	1-11/16"	2"	5/8"	1"	1.585
*FS -1.750-1.625	1-3/4"	2"	5/8"	1-5/8"	2.350
*FS -1.750-1.562	1-3/4"	2"	5/8"	1-9/16"	2.305
*FS -1.750-1.500	1-3/4"	2"	5/8"	1-1/2"	2.253
*FS -1.750-1.437	1-3/4"	2"	5/8"	1-7/16"	2.192
*FS -1.750-1.375	1-3/4"	2"	5/8"	1-3/8"	2.127
FS -1.750-1.312	1-3/4"	2"	5/8"	1-5/16"	2.058
*FS -1.750-1.250	1-3/4"	2"	5/8"	1-1/4"	1.984
*FS -1.750-1.187	1-3/4"	2"	5/8"	1-3/16"	1.903
*FS -1.750-1.125	1-3/4"	2"	5/8"	1-1/8"	1.822
FS -1.750-1.062	1-3/4"	2"	5/8"	1-1/16"	1.737
FS -1.750-1.000	1-3/4"	2"	5/8"	1"	1.649
*FS -1.875-1.750	1-7/8"	2"	5/8"	1-3/4"	2.705
FS -1.875-1.687	1-7/8"	2"	5/8"	1-11/16"	2.658
*FS -1.875-1.625	1-7/8"	2"	5/8"	1-5/8"	2.603
*FS -1.875-1.562	1-7/8"	2"	5/8"	1-9/16"	2.542
*FS -1.875-1.500	1-7/8"	2"	5/8"	1-1/2"	2.475
*FS -1.875-1.437	1-7/8"	2"	5/8"	1-7/16"	2.400
*FS -1.875-1.375	1-7/8"	2"	5/8"	1-3/8"	2.323
*FS -1.875-1.312	1-7/8"	2"	5/8"	1-5/16"	2.243
*FS -1.875-1.250	1-7/8"	2"	5/8"	1-1/4"	2.158
*FS -1.875-1.187	1-7/8"	2"	5/8"	1-3/16"	2.067
FS -1.875-1.125	1-7/8"	2"	5/8"	1-1/8"	1.975
FS -1.875-1.062	1-7/8"	2"	5/8"	1-1/16"	1.881
FS -1.875-1.000	1-7/8"	2"	5/8"	1"	1.784
*FS -2.000-1.875	2"	2"	5/8"	1-7/8"	3.083
*FS -2.000-1.750	2"	2"	5/8"	1-3/4"	2.978
FS -2.000-1.687	2"	2"	5/8"	1-11/16"	2.913
*FS -2.000-1.625	2"	2"	5/8"	1-5/8"	2.843
*FS -2.000-1.562	2"	2"	5/8"	1-9/16"	2.768
*FS -2.000-1.500	2"	2"	5/8"	1-1/2"	2.689
*FS -2.000-1.437	2"	2"	5/8"	1-7/16"	2.602
*FS -2.000-1.375	2"	2"	5/8"	1-3/8"	2.513
*FS -2.000-1.312	2"	2"	5/8"	1-5/16"	2.421
*FS -2.000-1.250	2"	2"	5/8"	1-1/4"	2.326
FS -2.000-1.187	2"	2"	5/8"	1-3/16"	2.224
FS -2.000-1.125	2"	2"	5/8"	1-1/8"	2.124
FS -2.000-1.062	2"	2"	5/8"	1-1/16"	2.019
FS -2.000-1.000	2"	2"	5/8"	1"	1.913
FS-T-2.000-.875	2"	1-1/4"	3/8"	7/8"	1.691
FS -1.875-.875	1-7/8"	1-1/4"	3/8"	7/8"	1.582



**TYPE NO. 3  
CYLINDRICAL SLEEVE**

Part No.	A	B	C	D	Area Sq. In.
C - .875	7/8"	1-1/4"	3/8"		.601
C - .937	15/16"	1-1/4"	3/8"		.690
C -1.000	1"	1-1/4"	3/8"		.785
C -1.063	1-1/16"	1-1/4"	3/8"		.887
*C -1.125	1-1/8"	1-1/4"	3/8"		.994
C -1.187	1-3/16"	1-1/2"	3/8"		1.107
C -1.250	1-1/4"	1-1/2"	3/8"		1.227
C -1.312	1-5/16"	1-1/2"	3/8"		1.353
C -1.375	1-3/8"	1-1/2"	3/8"		1.485
*C -1.437	1-7/16"	1-1/2"	3/8"		1.623
*C -1.500	1-1/2"	2"	5/8"		1.767
C -1.562	1-9/16"	2"	1/2"		1.917
*C -1.625	1-5/8"	2"	5/8"		2.074
*C -1.687	1-11/16"	2-1/2"	5/8"		2.236
*C -1.750	1-3/4"	2-1/2"	5/8"		2.405
C -1.875	1-7/8"	2-1/2"	5/8"		2.761
C -2.000	2"	2-1/2"	5/8"		3.142
C -2.125	2-1/8"	2-1/2"	5/8"		3.547
C -2.250	2-1/4"	2-1/2"	5/8"		3.976
C -2.375	2-3/8"	2-1/2"	5/8"		4.430
CS -1.500	1-1/2"	1-1/2"	3/8"		1.767



**TYPE NO. 4  
SQUARE TAPERED**

Part No.	A	B	C	D	Area Sq. In.
S - .875	7/8"	7/8"	3/8"	1-1/4"	.766
S - .937	15/16"	15/16"	3/8"	1-1/4"	.878
S -1.000	1"	1"	3/8"	1-1/4"	1.000
S -1.125	1-1/8"	1-1/8"	5/8"	2"	1.266
S -1.187	1-3/16"	1-3/16"	5/8"	2"	1.409
S -1.250	1-1/4"	1-1/4"	5/8"	2"	1.562
S -1.312	1-5/16"	1-5/16"	5/8"	2"	1.721
S -1.375	1-3/8"	1-3/8"	5/8"	2"	1.891
S -1.437	1-7/16"	1-7/16"	5/8"	2"	2.065
S -1.500	1-1/2"	1-1/2"	5/8"	2"	2.250